



Ceiling version



LED LUMINAIRES
SUITABLE FOR WET LOCATIONS
LEDS ARE NOT REPLACEABLE



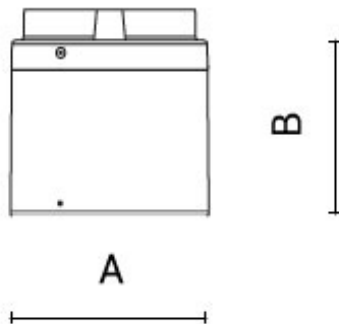
WARNING
ANY MODIFICATION TO THIS FITTING IS FORBIDDEN WITHOUT PRIOR AUTHORIZATION

- Risk of fire/electric shock: turn off power before installation or maintenance.
- Risk of fire/electric shock: fixtures should always be installed, inspected and maintained in accordance with local and national electric codes by qualified electricians only.
- Risk of burning: make sure fixture is cool when performing maintenance.
- Risk of burning: keep fixtures away from materials that may burn.
- Perform electrical and mechanical maintenance on a regular basis at least once per year. Harsh environments might require more frequent controls.
- Do not operate the fixtures with a missing or damaged shield.
- Do not place the fixture in contact with corrosive substances such as fertilizers, weed killers or detergents.
- Fixture screens should be cleaned on regular basis to ensure lighting performance are maintained.
- All gaskets, O-rings and sealing surfaces must be kept clean during installation and service; failure to do this may cause an unsafe condition.
- Read carefully these instruction before installing the fixture and retain for future reference.

SAVE THESE INSTRUCTIONS

Note: specifications and dimensions subject to change without notice.
This data sheet and other technical documents continually updated can be accessed at www.arcluce-us.com

SPECIFICATIONS



MECHANICAL	
Dimensions:	A: Ø 8" 5/16 B: 8" 11/16
Weight:	6.83 lb
Rated Ta :	-20°C ÷ +25°C
ELECTRICAL	
Wiring:	S
Input:	120-277V 50/60Hz
Dimming	0-10V
Typical power consumption:	41 W

Data di emissione: 2018.06.07

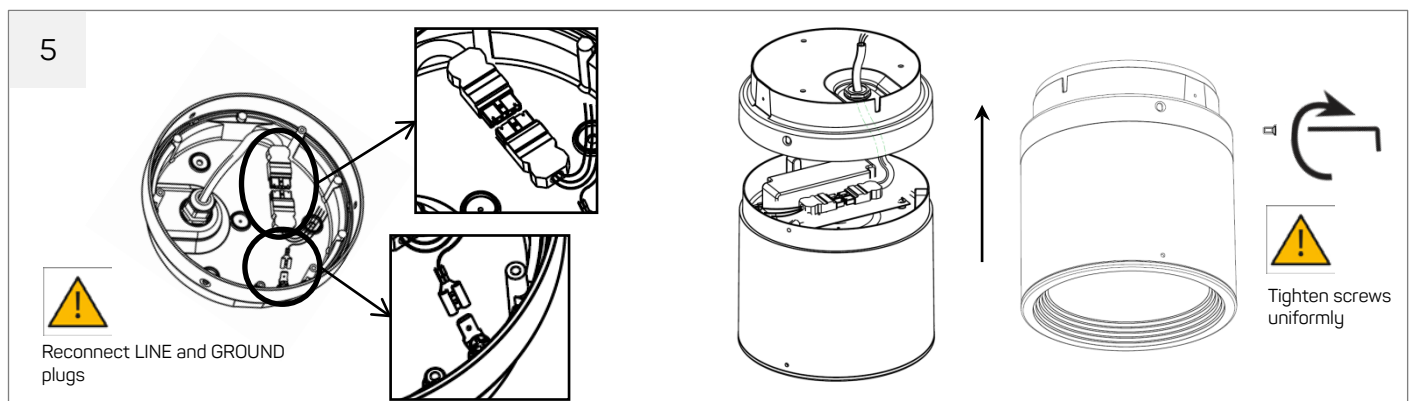
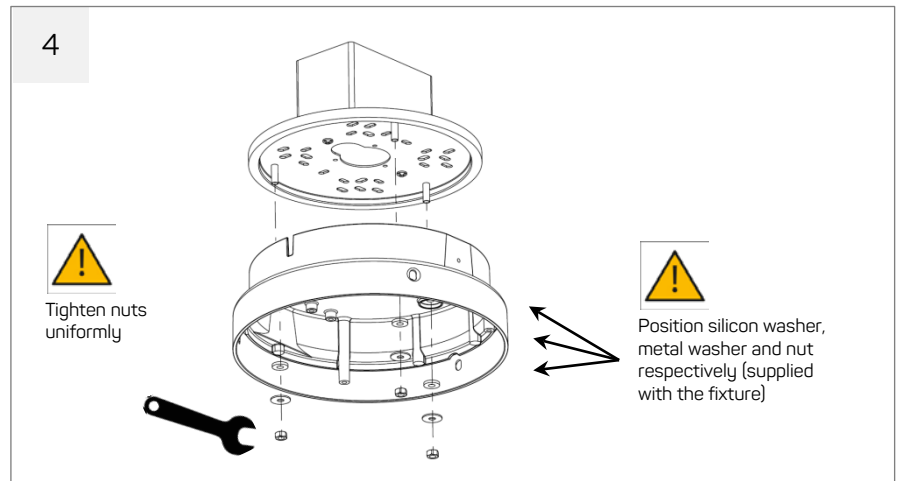
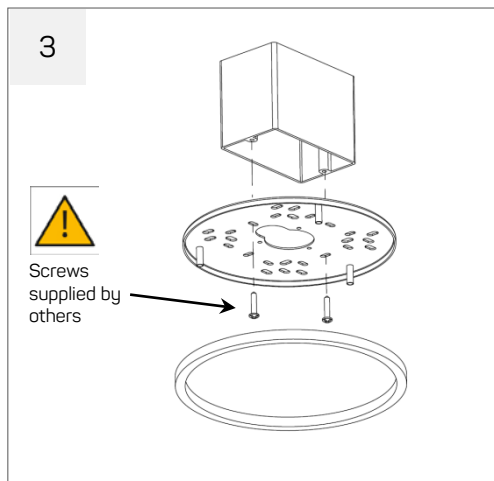
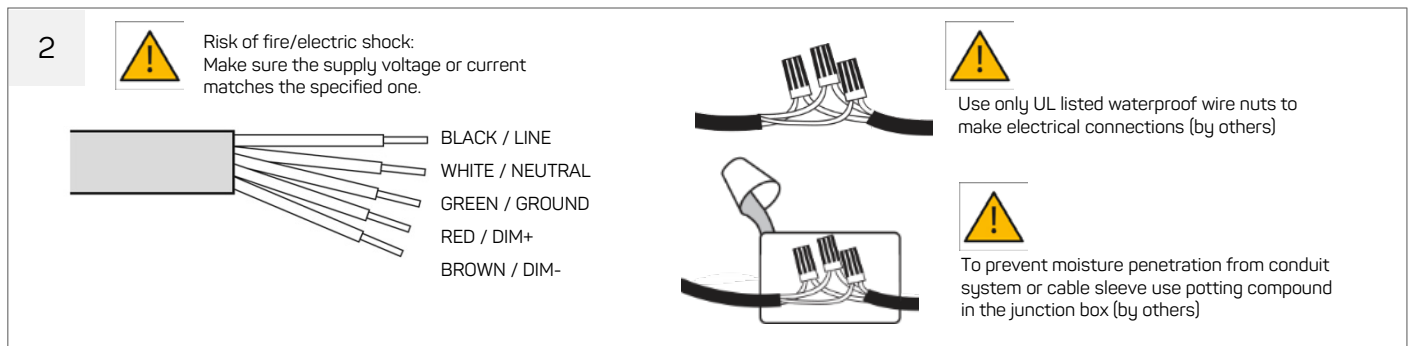
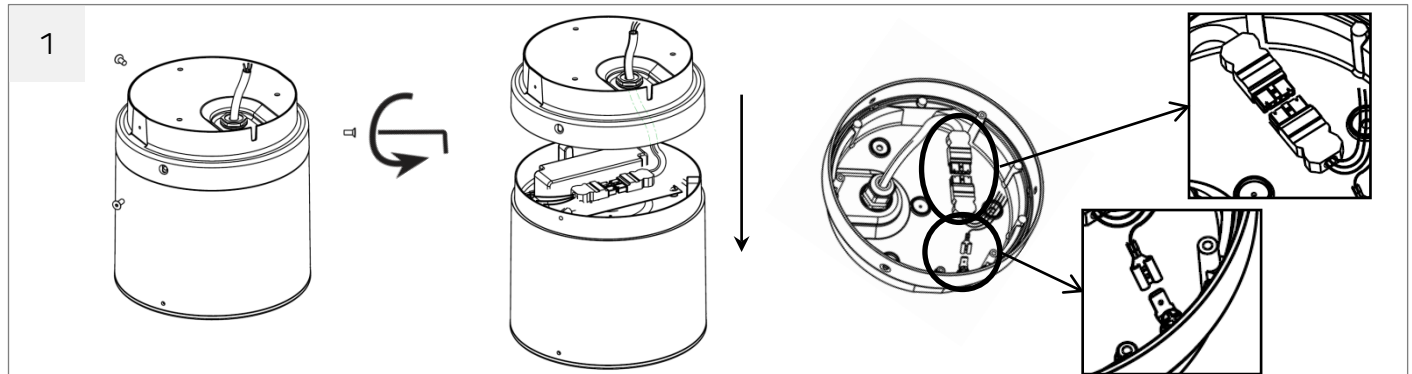
Stato di modifica: M0

Codice: 6555813.11

Codice:

INSTALLATION

1. Open the fixture and disconnect wall body from optical body.
2. Wire the fixture using a waterproof outdoor-rated junction box (by others) according to diagram.
3. Fix the universal plate (supplied with fixture) to the j-box and position the gasket
4. Slide body in position and secure with washer and nuts (supplied with fixture)
5. Connect optical body with wall body and secure it with screws (supplied with fixture)



Data di emissione: 2018.06.07

M0

Stato di modifica:

6555813.11

Codice: