



AVAILABLE TRIMS



**SUITABLE FOR WET LOCATIONS FOR IN-GROUND INSTALLATION  
ONLY SUITABLE FOR INSTALLATION IN POURED CONCRETE  
LEDS ARE NOT REPLACEABLE**

**WARNING:**

**ENG**

**ANY MODIFICATION TO THIS FITTING IS FORBIDDEN WITHOUT OUR AUTHORIZATION**

- Risk of fire/electric shock: turn off power before installation or maintenance
- Risk of fire/electric shock: fixtures should always be installed, inspected and maintained in accordance with local and national electric codes by qualified electricians only
- Risk of burning: make sure fixture is cool when performing maintenance
- Risk of burning: keep fixtures away from materials that may burn
- Perform electrical and mechanical maintenance on a regular basis at least once per year. Harsh environments might require more frequent controls
- Do not operate the fixtures with a missing or damaged shield
- Do not place the fixture in contact with corrosive substances such as fertilizers, weed killers or detergents.
- Fixture screens should be cleaned on regular basis to ensure lighting performance are maintained
- Read carefully these instruction before installing the fixture and retain for future reference
- All gaskets, O-rings and sealing surfaces must be kept clean during installation and service; failure to do this may cause an unsafe condition

Note: specifications and dimensions subject to change without notice  
This data sheet and other technical documents continually updated can be accessed at [www.arcluce-us.com](http://www.arcluce-us.com).

**TOOLS**

- 3mm Allen wrench
- Philips Screw Driver

**SPECIFICATION**

	T1	T2	T3	WIRING	A	R/S
<b>T1=</b> AISI 316L stainless steel ring above ground, round 				Mains Voltage	120V	120V - 277V
	<b>WEIGHT</b> 			Typical power consumption	15W	15W
	<b>RATED T<sub>A</sub></b>			25°C		
	<b>Static load</b>			11000lb		
<b>T2=</b> AISI 316L stainless steel ring and counter-ring flush with ground, round 						
<b>T3=</b> AISI 316L stainless steel frame above ground, square 						

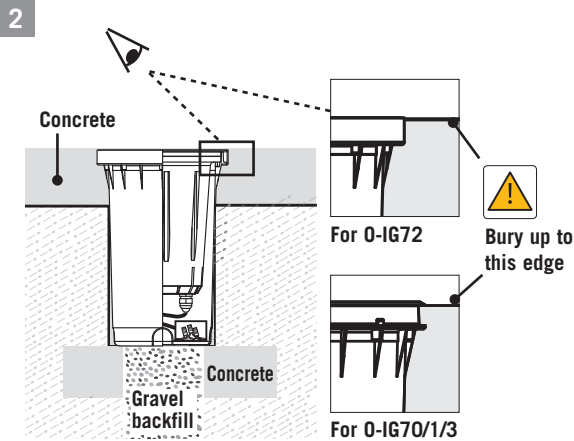
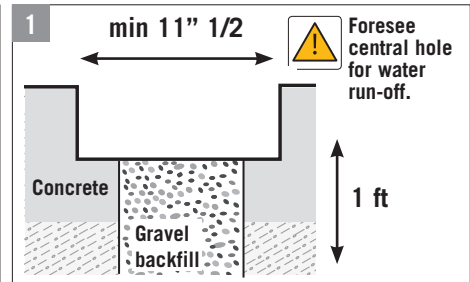
Data emissione: 2017.03.07

Stato di modifica: M2

Codice: 6557502.11

## INSTALLATION

- 1 Dig hole. Fixture must be installed with a minimum 1ft depth of pea gravel or equivalent drainage base. Foresee a concrete base to sustain the load, see figure 1.
- 2 Fixture is supplied with 2ft supply cord. A suitable for outdoor location waterproof junction box must be provided (by others). Allow enough cable to lift the fixture out of the recessed box for maintenance.
- 3 Position in digged hole the recessed box and pour concrete. See figure 2.
- 4 Wire the fixture using a waterproof outdoor-rated junction box (by others) according to diagram, see figure 3. Warning: Use only UL listed waterproof wire nuts to make electrical connections (by others).
- 5 Install the fixture in the recessed box, clean the gasket and assemble the trim. See figure 4.



Do not install fixtures in sunk areas where water could accumulate.

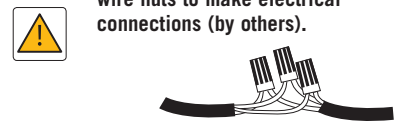


Do not install these fixtures in submersible installations such as pools or fountains.

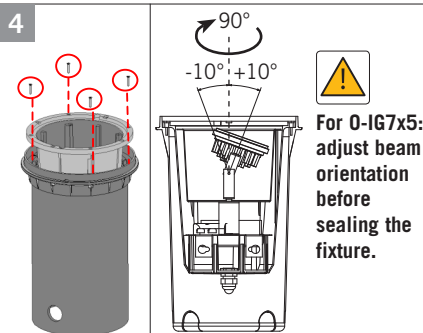
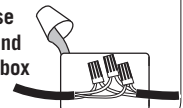


3 Connect the fixture to the driver before supplying the power. Risk of fire/electric shock: Make sure the supply voltage or current matches the specified one.

**A** Use only UL listed waterproof wire nuts to make electrical connections (by others).

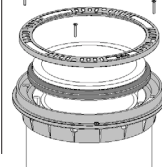
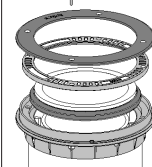


**B** To prevent moisture penetration from conduit system or cable sleeve use potting compound in the junction box (by others).

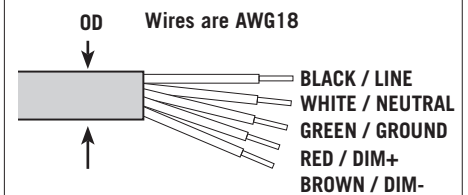


For O-IG70, O-IG73, O-IG71

For O-IG72



Before positioning the screen make sure the gaskets and sealing surfaces are clean.



Wiring A: OD= 5/16". DIM+ and DIM- wires not present

Wiring R/S: OD= 3/8".

## ACCESSORIES

Thermoplastic material recessed installation box.



**07598**  
For O-IG70, O-IG71, OIG73



**07599**  
For O-IG72

Anti-slip opal glass.



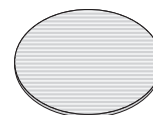
**07594**  
For O-IG70

**07597**  
For O-IG71, O-IG72, O-IG73

**07590**

Lens for elliptic beam.

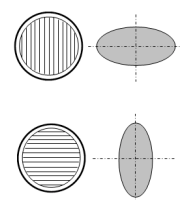
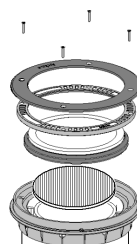
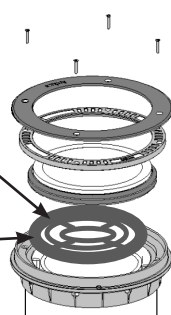
It cannot be combined with 07591 and 07592.



**07591**  
Directional louvre for glare control.



**07592**  
Glare-control louvre.



For O-IG7x2 or O-IG7x3