



FLOODLIGHTS

LED LUMINAIRES
SUITABLE FOR WET LOCATIONS
SUITABLE FOR MOUNTING WITHIN 1.2 m (4 ft) OF THE GROUND



WARNING

ANY MODIFICATION TO THIS FITTING IS FORBIDDEN WITHOUT PRIOR AUTHORIZATION

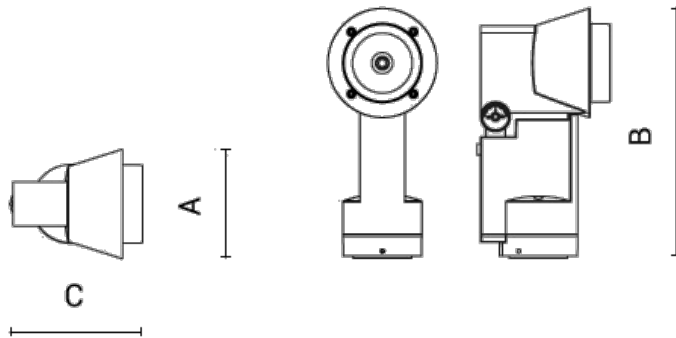
- Risk of fire/electric shock: turn off power before installation or maintenance.
- Risk of fire/electric shock: fixtures should always be installed, inspected and maintained in accordance with local and national electric codes by qualified electricians only.
- Risk of burning: make sure fixture is cool when performing maintenance.
- Risk of burning: keep fixtures away from materials that may burn.
- Perform electrical and mechanical maintenance on a regular basis at least once per year. Harsh environments might require more frequent controls.
- Do not operate the fixtures with a missing or damaged shield.
- Do not place the fixture in contact with corrosive substances such as fertilizers, weed killers or detergents.
- Fixture screens should be cleaned on regular basis to ensure lighting performance are maintained.
- All gaskets, O-rings and sealing surfaces must be kept clean during installation and service; failure to do this may cause an unsafe condition.
- Read carefully these instructions before installing the fixture and retain for future reference.

SAVE THESE INSTRUCTIONS

Note: specifications and dimensions subject to change without notice.

This data sheet and other technical documents continually updated can be accessed at www.arcluce-us.com

SPECIFICATIONS



MECHANICAL

Dimensions:	A: $\varnothing 4'' 5/16$
	B: $9'' 7/8$
	C: $5'' 5/16$
Weight:	3.64 lb
EPA:	0.43 ft ²
Rated Ta:	-20°C ÷ +25°C

ELECTRICAL

Wiring:	S
Input:	120-277 V 50/60 Hz
Dimming:	0-10 V
Typical power consumption:	21 W

ACCESSORIES

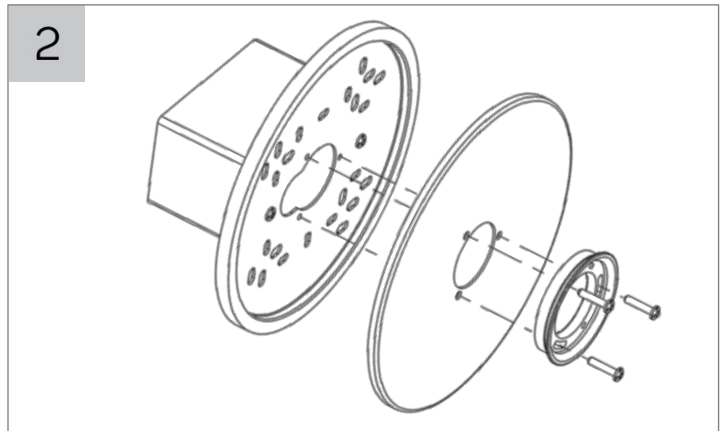
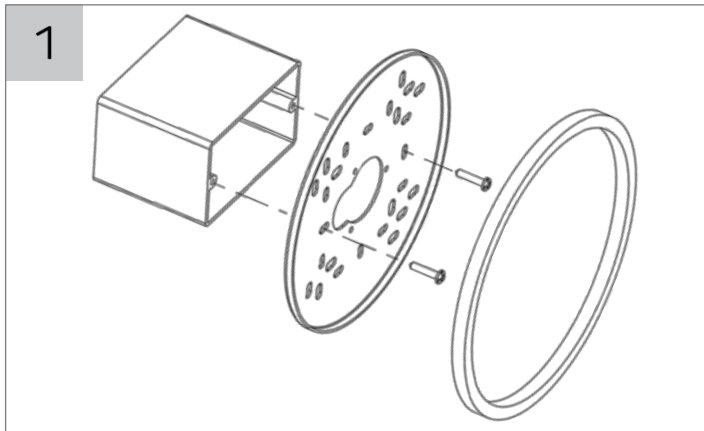
1099198X+12



Sloped visor.

INSTALLATION

1. Fix the universal plate (supplied with fixture) to the j-box and position the gasket.
2. Slide cover in position and secure with screws (supplied with fixture)
3. Wire the fixture using a waterproof outdoor-rated junction box (by others) according to diagram.
4. Slide fixture on its fixation ring and secure it tightening the three grub screws.
5. Adjust orientation.



3

BLACK / LINE
WHITE / NEUTRAL
GREEN / GROUND
RED / DIM+
BROWN / DIM-

Use only UL listed waterproof wire nuts to make electrical connections (by others)

Turn off power

Risk of fire/electric shock: Make sure the supply voltage or current matches the specified one.

To prevent moisture penetration from conduit system or cable sleeve use potting compound in the junction box (by others)

4

Adjust axial orientation before tightening the grubs.

Tighten grub screws uniformly

Do not pinch or damage the cable.

If the external flexible cable or cord of this luminaire is damaged, it shall be exclusively replaced by the manufacturer or his service agent or a similar qualified person in order to avoid a hazard.

5

Release the screw before adjusting orientation and tighten again afterwards.

Data di emissione: 2018.08.02

Stato di modifica: M0

Codice: 6558507.11